

FACTS

JELLO SUN

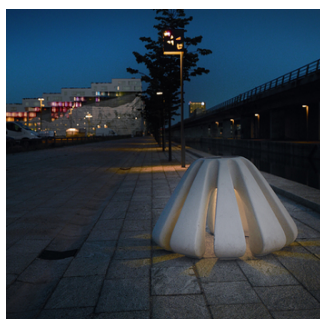
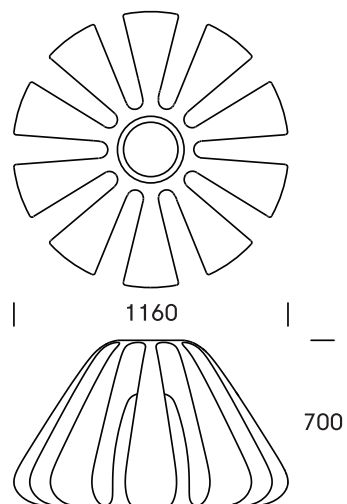
314

This urban element is hard to categorize. A sculptural mix between a solid concrete bollard, a solar-powered light, a resting spot or gathering point and a bicycle parking stand.

Free light - no cables - no installation issues.

Ambient, indirect light diffuses through the slits to create a star pattern. Use in a bike parking area, as a focal point in a square and/or to restrict an area for traffic.

Design: NATiON + KSA DESIGN



TECHNICAL DATA

Material and surface

Body: Moulded white/grey fibrous concrete. Resists wear and weather. Fibrous concrete is a dynamic material. Minor, cosmetic cracks may occur over time. Reinforced with stainless steel to strengthen the legs. Light unit: Top ring made in stainless steel, top cover for solar cell in 6mm tempered glass.

Dimensions

Ø1160 x 700mm.

Bike function

Up to 10 bikes can be placed in the slits. An installation with Jello and 10 bikes reaches a diameter of 4m.

Light function

Guide- and atmospheric light.

Top-mounted solar unit emits ambient, indirect light, pointed downwards. Light diffuses through slits to create a star-pattern. During daylight hours the solar energy gets stored on a battery - through a solar cell. At dusk the light will turn on (via a preset clock) and light up all evening and night, according to the charged energy. At sunrise the light will turn off again.

Light unit

Solar cell: Monocrystalline, 3Wp. Battery: Li-Ion, 3.7V/4.500mAh. LED: 3 x 1W white (4000K). Electronics: Intelligent processor controlled for optimum energy storage and light optimization incl. RTC-clock.

Fixation

Directly positioned on the ground. No fixation needed due to its weight of 400kg.

Mechanical strength

IP-rating: IP 65 / IK-rating: IK 8 / Corrosion class: C4

Maintenance

Maintenance-free, except for change of battery after approx. 6 years.

Keep top with solarcells free of dirt to ensure max. light.

The surface is treated with a coating, which has a repelling effect on dirt and particles.

In case an anti-graffiti surface is needed, it is recommended to give the surface an anti-graffiti treatment.

Variant

Version without light: Jello #313

Variant colour: Grey (RAL 7038)

Other light colour, other battery type or other light profiles.

Product code

#314 0250 Jello Sun, white / 400kg

Standard colours (approx. RAL)



White: RAL 9003

Variant colours (approx. RAL)



Grey: RAL 7038