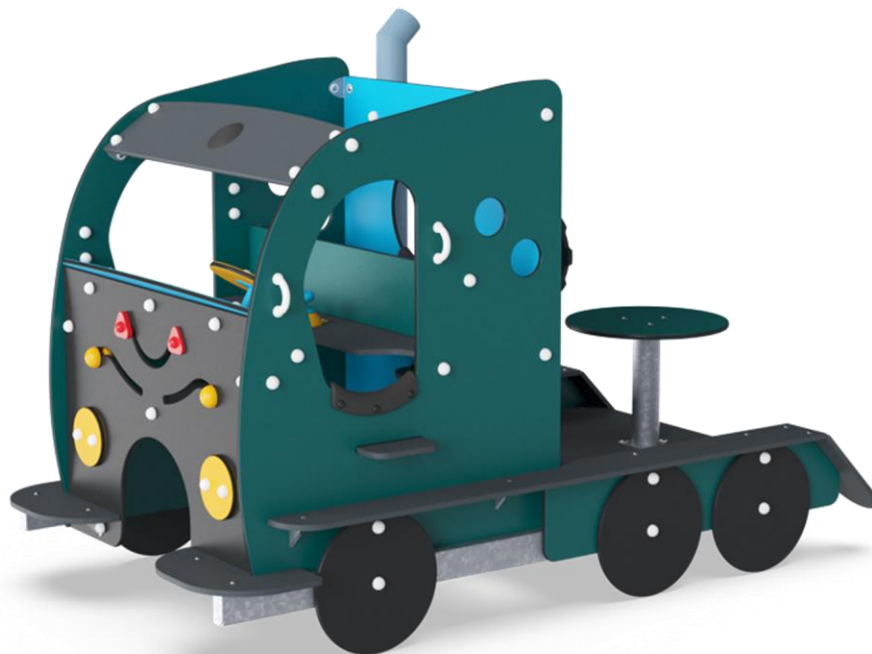


Truck

M534



Item no. M53470-3418P

General Product Information

Dimensions LxWxH	156x273x190 cm
Age group	6m+
Play capacity (users)	8
Colour options	



WOW – a truck! The Truck is a playground hit with all future drivers. With its spacious platforms and dens, it's an experience to explore. Thanks to the side, rear and front openings that allow children to enter from all sides, the driver's compartment stimulates versatile crawling. This enhances cross-coordination, which is important for the child's

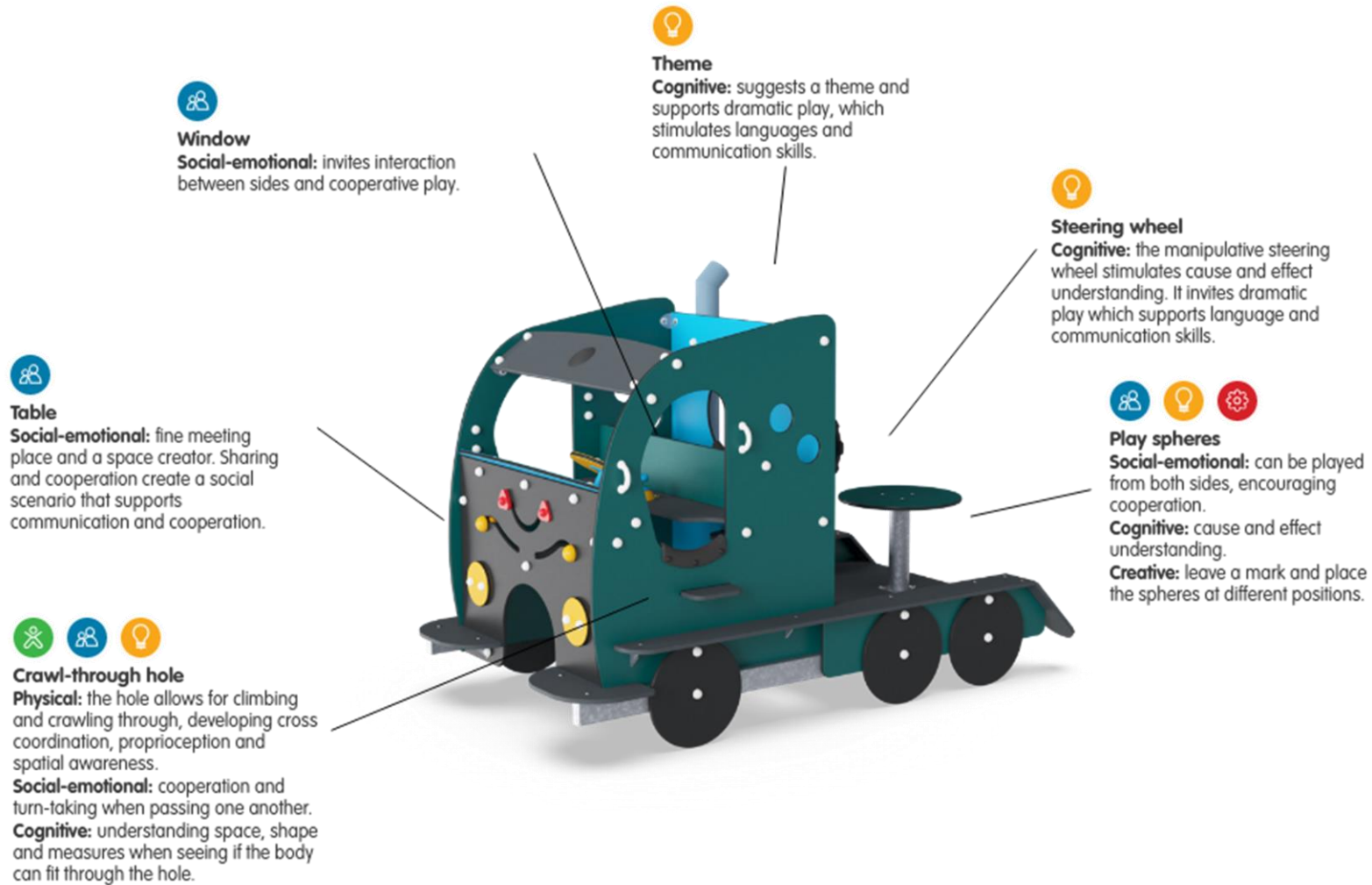
ability to move body sides independently. This also helps to stimulate functions in the brain which are important to future reading skills. The truck's driving compartment has steering wheels and gears and numerous tactile elements. The back of the truck has a black crane hoisting wheel. These elements enhance cause-and-effect understanding when children

play with them. The back is a fine gathering space with a table and sides to sit on. This social space invites children and carers alike.



Truck

M534



Truck

M534



Panels of 19mm EcoCore™. EcoCore™ is a highly durable, eco friendly material, which is not only recyclable after use, but also consists of a core produced from 100% recycled post consumer material from food packing waste.



Foot support is made of HPL with a thickness of 17,8mm with a very high wearing strength and a unique KOMPAN nonskid surface texture.



The steel surfaces are hot dip galvanised inside and outside with lead free zinc. The galvanisation has excellent corrosion resistance in outside environments and requires low maintenance.



Exhaust pipe is made of polypropylene PP with excellent impact strength and usable within a large temperature span.



Handholds are made of injection moulded high quality nylon (PA6). PA6 has good wearing and impact strength.



KOMPAN GreenLine versions are designed with ultimate environmentally friendly materials with lowest possible CO2e emission factor such as EcoCore™ panels of 100% post consumer recycled ocean waste.

Item no. M53470-3418P

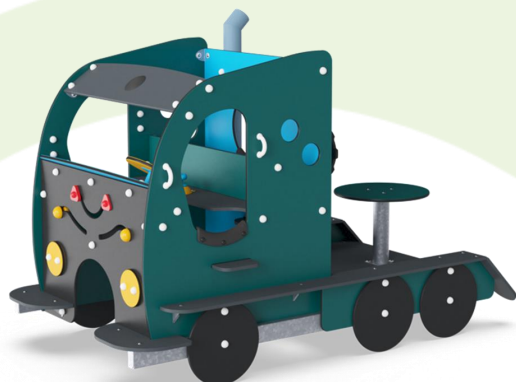
Installation Information

Max. fall height	90 cm
Safety surfacing area	23,7 m ²
Number of installers	2
Total installation time	12,6
Excavation volume	0,61 m ³
Concrete volume	0,00 m ³
Footing depth (standard)	63 cm
Shipment weight	409 kg
Anchoring options	In-ground ✓ Surface ✓

Warranty Information

EcoCore HDPE	Lifetime
HPL decks	15 years
Hot dip galvanised steel	Lifetime
PUR components	10 years
Spare parts guaranteed	10 years





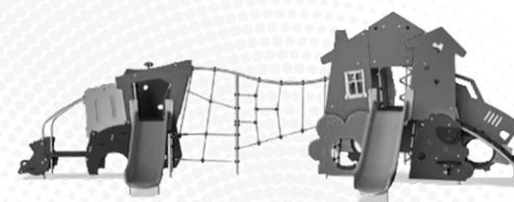
Cradle to Gate A1-A3	Total CO ₂ emission	CO ₂ e/kg	Recycled materials
	kg CO ₂ e	kg CO ₂ e/kg	%
M53470-3418P	618,04	1,83	42,77
M53471-3418P	577,19	1,71	47,30

The overall framework applied for these factors is the Environmental Product Declaration (EPD), which quantifies "environmental information on the life cycle of a product and enable comparisons between products fulfilling the same function" (ISO, 2006). This follows the structure and applies a Life-Cycle Assessment approach to the entire Product stage from raw material through manufacturing (A1-A3))

Kompan A/S
 C.F. Tietgens Boulevard 32C
 DK-5220 Odense SØ
 Denmark



Validation of CO₂ calculation of: Themed play systems



Data version no. 2021-09-27

The CO₂ calculation and data are in compliance with the principles of a carbon footprint impact according to the GHG protocol (Greenhouse Gas Protocol), Scope 3, cradle to gate related to all individual components in the product category: "Themed play systems" represented by item no.: MSC641100-3717P.

(Scope 3 emissions include emission sources in the upstream and downstream value chain).

Date: 15. October 2021 | Valid until: 15. October 2023

Validated by:

Bente Hviid, Senior Consultant

Peter Bendtsen, Senior Consultant

Validation based on report: Validation of CO₂ calculation of 8 categories of Kompan product line, version 1.0, prepared by: Bureau Veritas HSE, Denmark: Bente Hviid and Peter Bendtsen.

Publication date: 15. October 2021

By Bureau Veritas HSE
 www.bureauveritas.dk
 +45 7731 1000

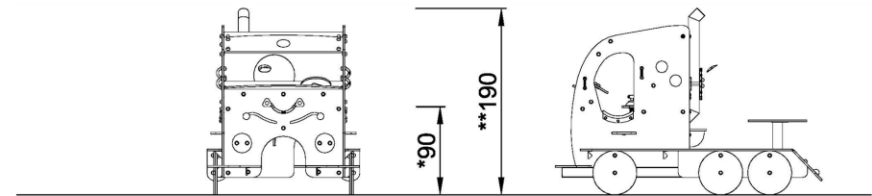
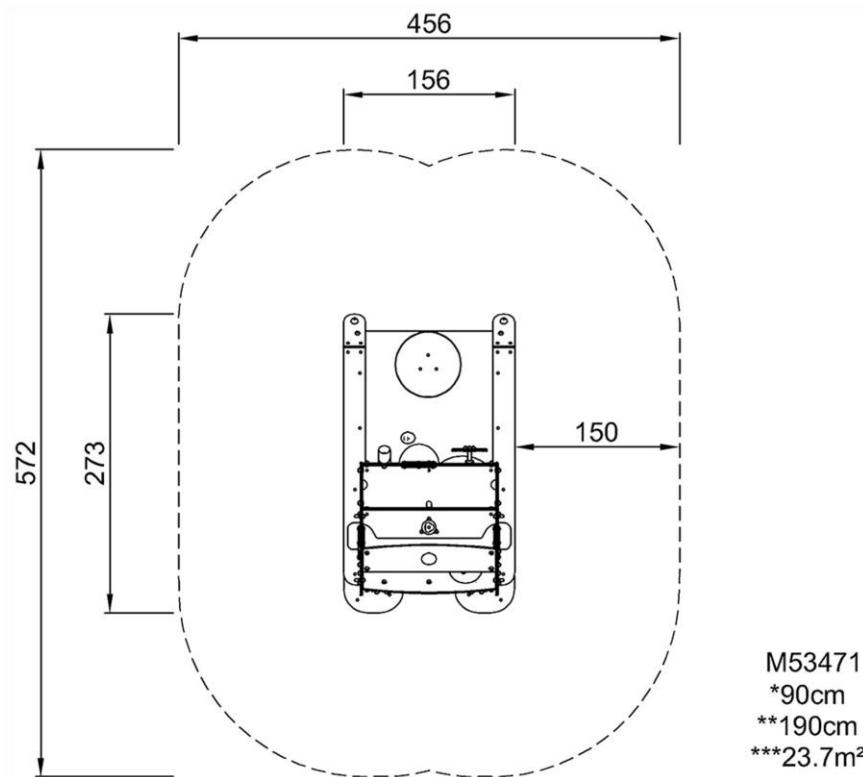


Truck

M534

* Max fall height | ** Total height | *** Safety surfacing area

* Max fall height | ** Total height



M53471
1:100

[Click to see 1:100 ratio TOP VIEW](#)

[Click to see 1:100 ratio SIDE VIEW](#)