

1. Applications

EUROFLEX® Elephants, Rhinos, Dromedary and Pony can be used as more than just playthings, and can also be used as little islands in playgrounds. The jungle animals bring huge flexibility to the design of playgrounds and indoor play areas. Easy and inexpensive to install.

EUROFLEX® Animals are manufactured by an environment-friendly process and can be recycled as process raw material at the end of their service life.

They can be played on under almost any weather conditions.

2. Material

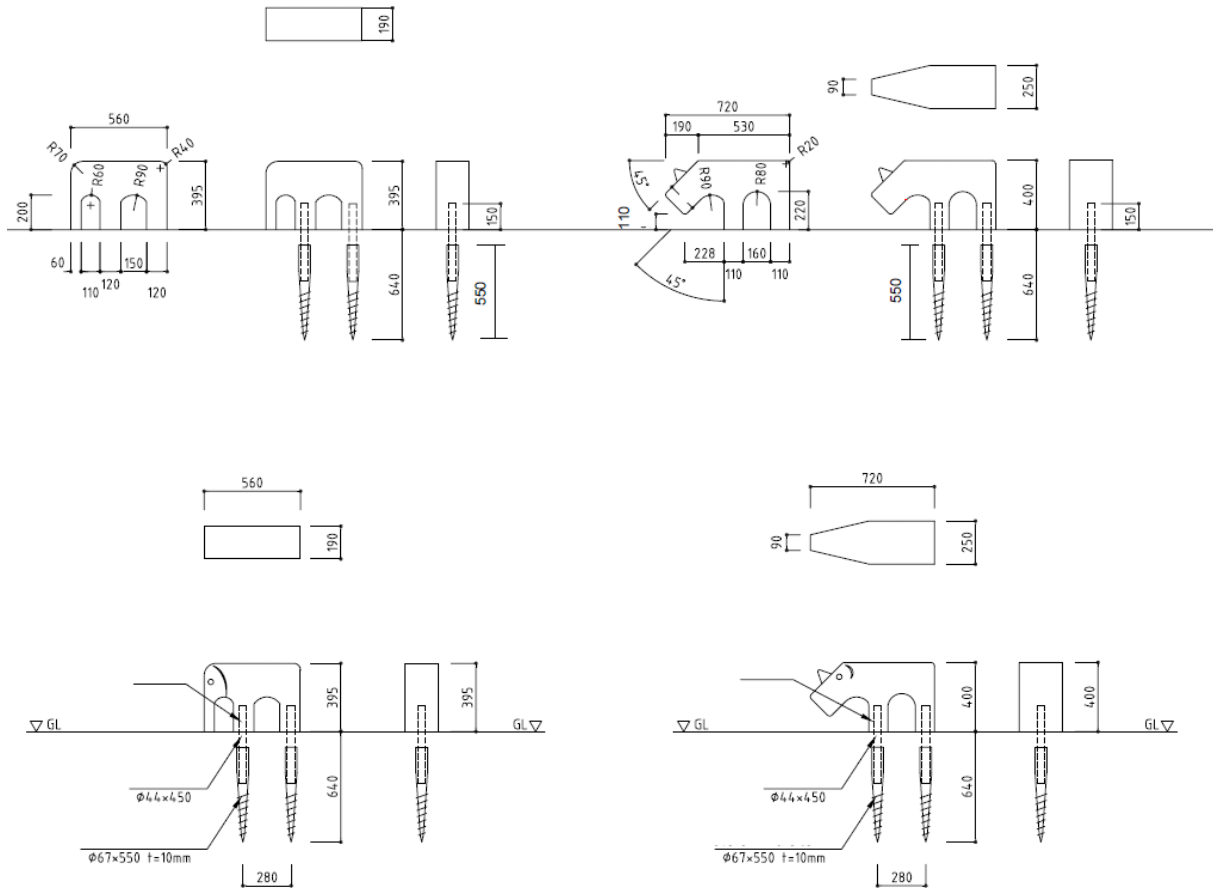
Rubber granulate: EPDM Rubber granulate and SBR Rubber granulate
Binding agent: MDI polyurethane

3. Characteristics

Colour Elephant, Rhino, Dromedary, Pony: red, green, blue, yellow, luminous orange, luminous yellow
Colour for base plate: red, green, blue, yellow, luminous orange, luminous yellow
minor colour variations and/or fading possible

4. Dimensions / Tolerances

Elephant L x W x H: approx. 560 x 190 x 395 mm
Weight: approx. 30,0 kg
Rhino L x W x H: approx. 700 x 250 x 400 mm
Weight: approx. 30,0 kg
Dromedary L x W x H: approx. 750 x 250 x 510 mm
Weight: approx. 30,0 kg
Pony L x W x H: approx. 580 x 200 x 470 mm
Weight: approx. 33,0 kg
Base plate: diameter 700 mm
Weight: approx. 21,0 kg



5. Test Data

EN 1176-1:2017

Production facility inspection

Fire resistance: E (DIN EN 13501-1, 2002)

6. Installation

Use the cardboard template provided to screw the anchor fixings into the ground at the right intervals. Use the fixing screw to fix the mounting tubes in the anchors.

Apply 1-component polyurethane adhesive cement to the mounting tubes. Slip the Elephant, Rhino, Dromedary, Pony over the mounting tubes, adhesive cement will dry overnight.

To remove the unit in wintertime, first loosen the fixing screws, pull the animal out of the base anchors together with the mounting tubes. Use the protective cap to keep water out of the base anchor in winter.

All information without guarantee, subject to change. The Data Sheet is not subject to any change service. Each current and valid from can be recalled at www.kraiburg-relastec.com/euroflex

page 2 of 2